

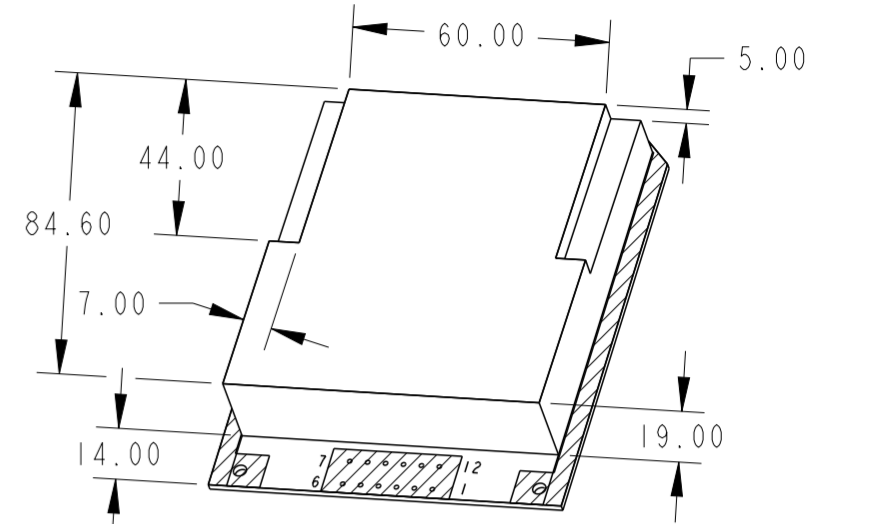
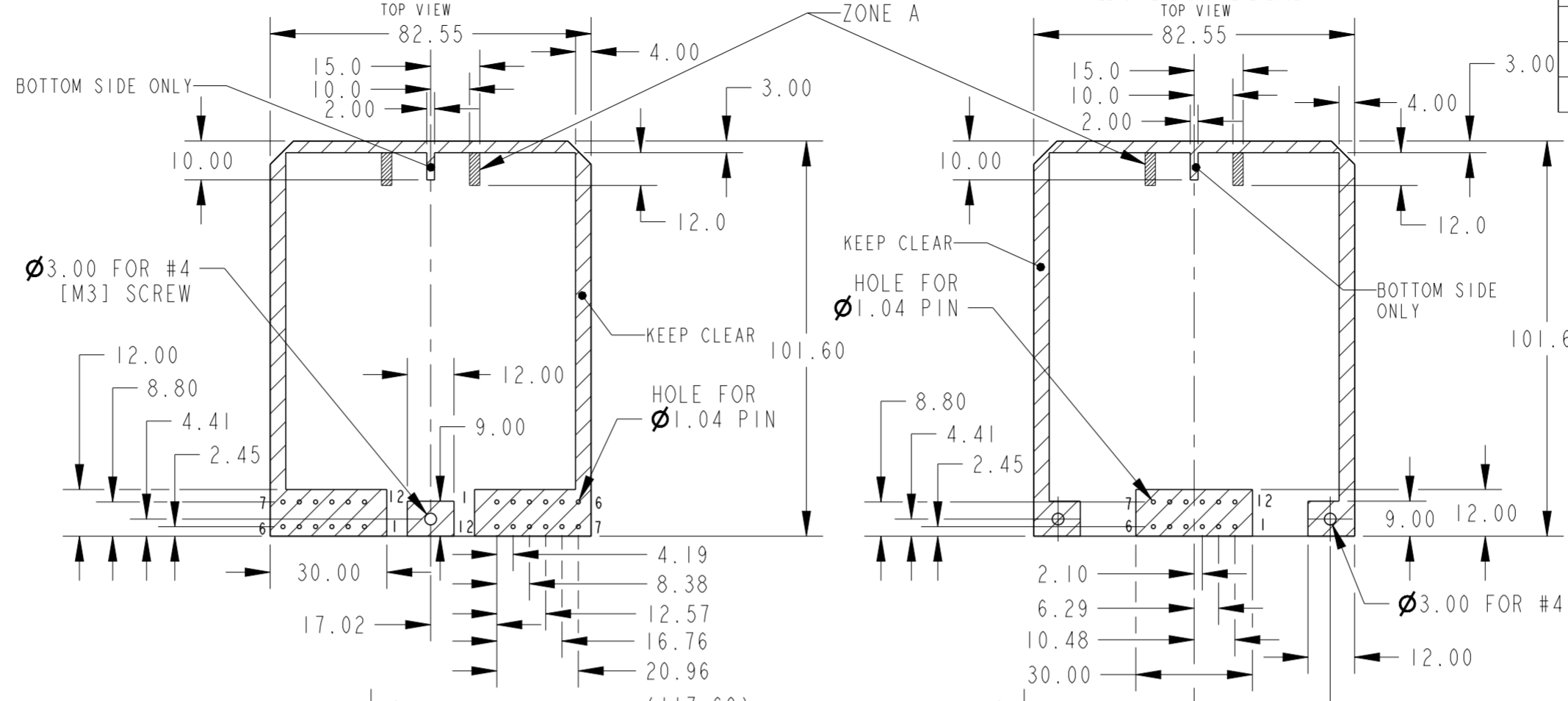
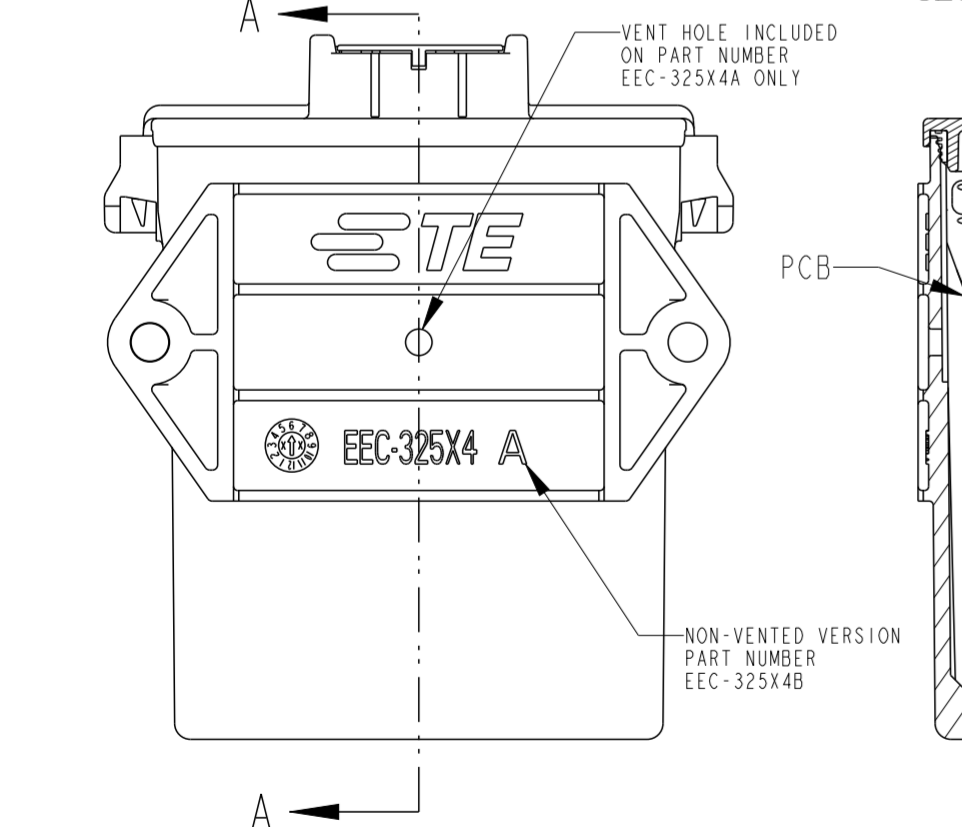
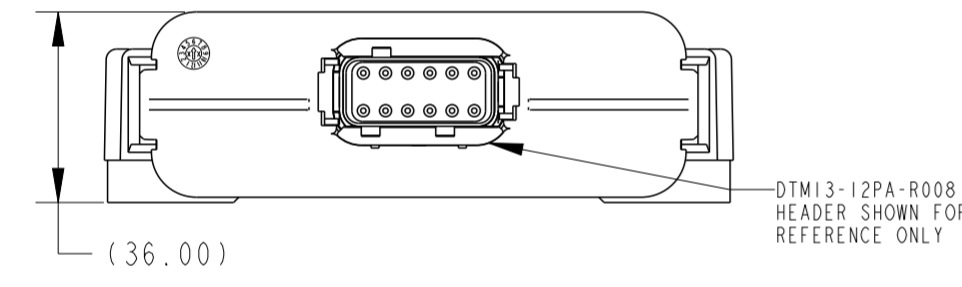
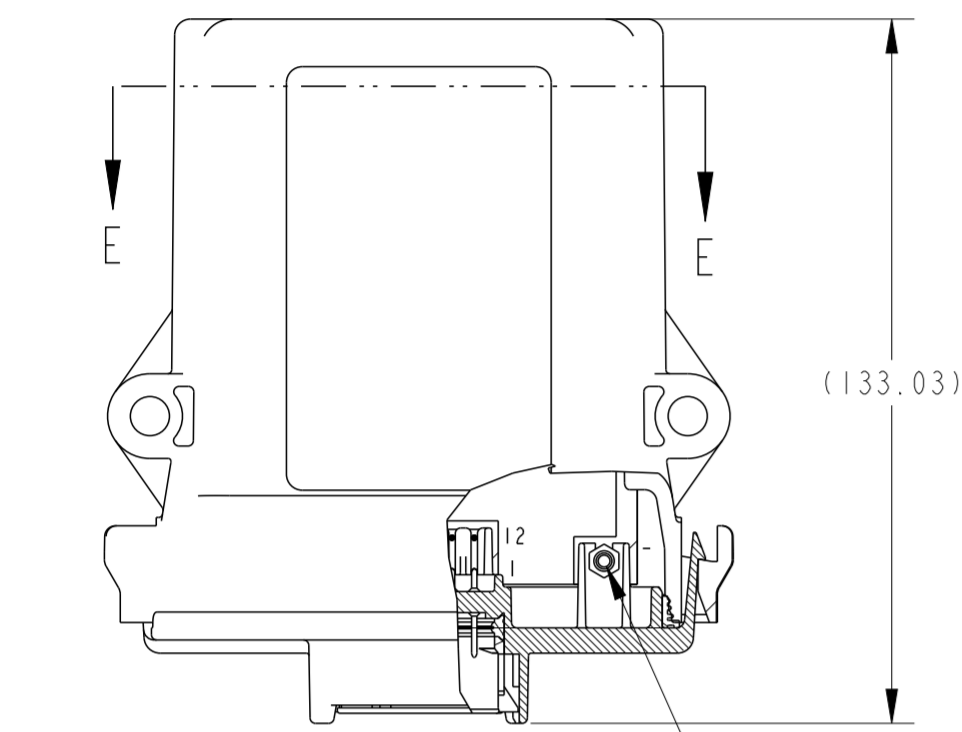
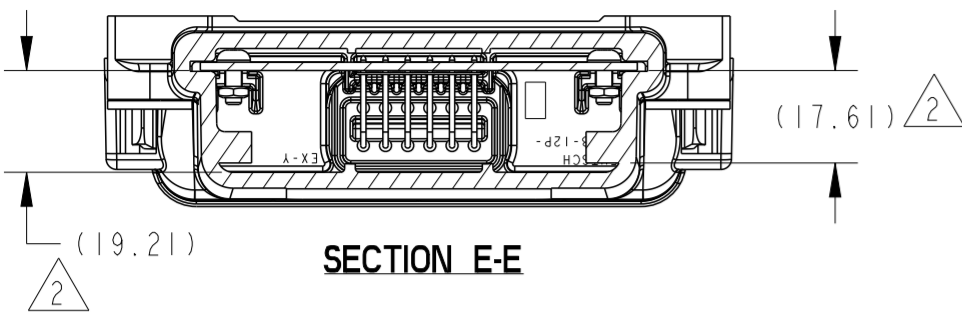
**CIRCUIT BOARD HOLE LOCATIONS AND KEEP CLEAR AREAS FOR**  
DTM13-12PX-12PX-R008  
DTM13-12PX-12PX-GR01  
ALL DIMENSIONS REFERENCE  
TOP VIEW

**CIRCUIT BOARD HOLE LOCATIONS AND KEEP CLEAR AREAS FOR**  
DTM13-12PX-R008  
DTM13-12PX-GR01  
ALL DIMENSIONS REFERENCE  
TOP VIEW

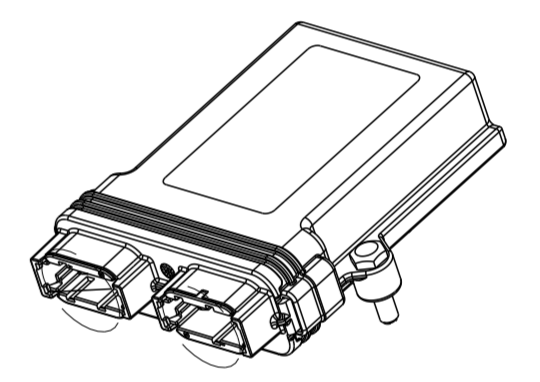
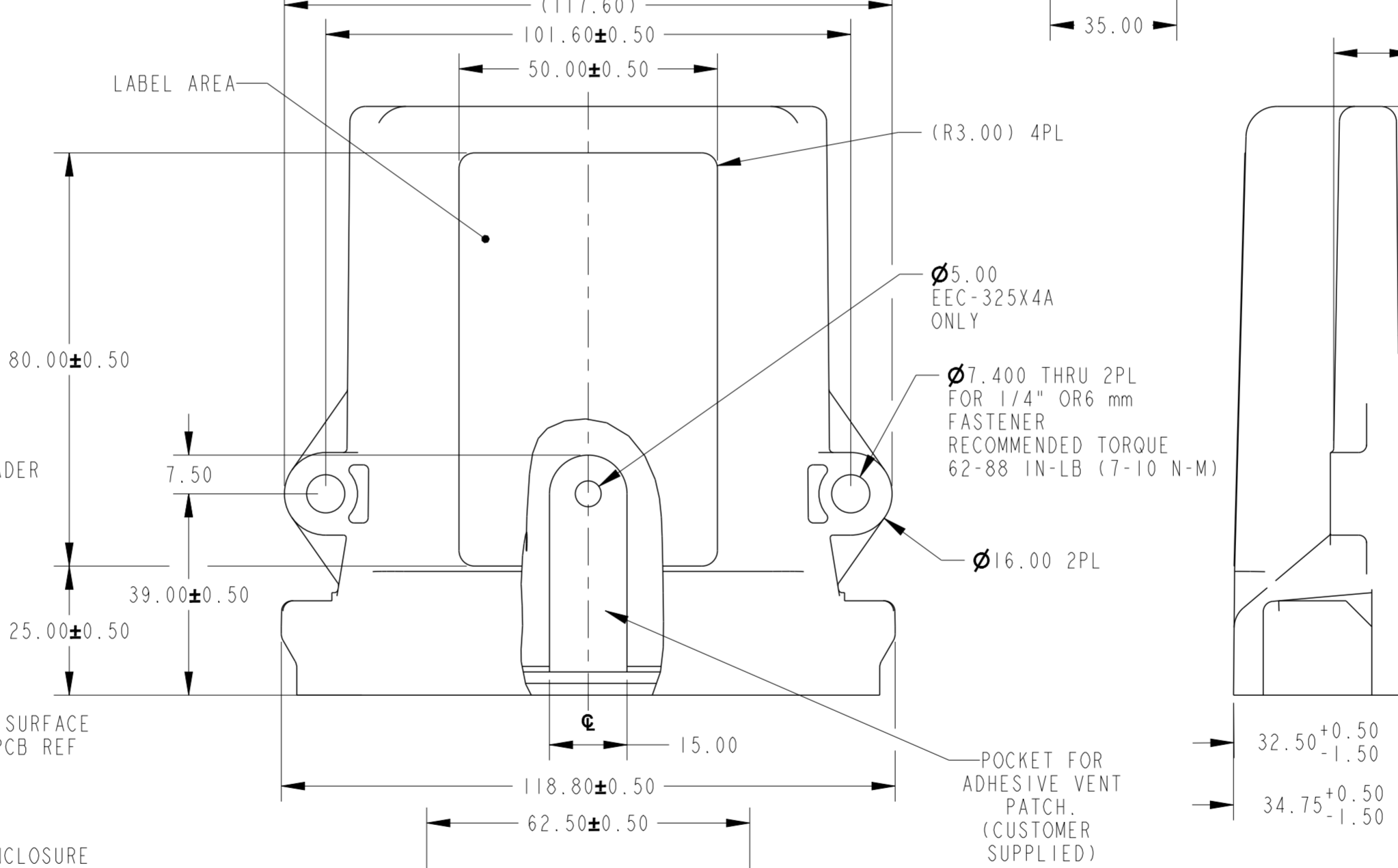
REVISIONS

P	LTR	DESCRIPTION	DATE	DWN	APVD
F	I	REVISED PER PCN E-20-002881	05MAR2020	CO	IG
G		REVISED PER PCN E-20-012817	07OCT2020	SM	IG
H		REVISED PER PCN E-21-003960	05APR2021	DM	CB
HI		REVISED PER PCN E-21-004230	09APR2021	AP	IG

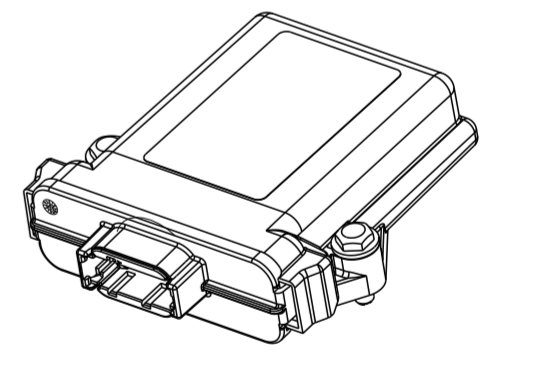
ASSEMBLED HEADER SHOWN FOR REFERENCE



**THREE DIMENSIONAL SPACE LIMIT**  
APPROXIMATE INTERNAL SPACE FOR COMPONENT SPACE LAYOUT  
MAX. COMPONENT HEIGHT UNDER BOARD 2.00 mm.  
WITH EXCEPTION OF NOTED ZONE A WHERE THE MAX COMPONENT HEIGHT UNDER BOARD IS 1.65mm.



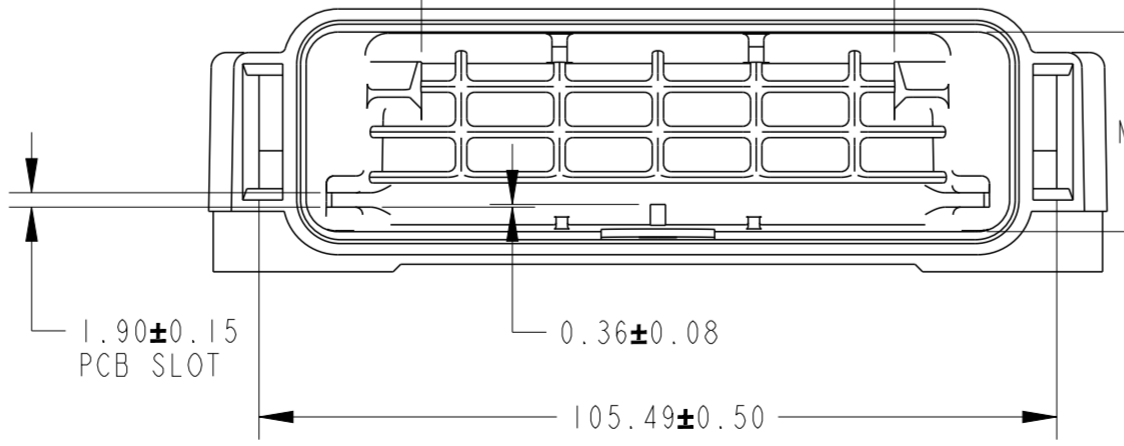
**3D VIEW**  
DTM13-12PX-12PX-R008 AND DTM13-12PX-12PX-GR01 HEADER AND MOUNTING HARDWARE SHOWN FOR REFERENCE



**3D VIEW**  
DTM13-12PX-R008 AND DTM13-12PX-GR01 HEADER AND MOUNTING HARDWARE SHOWN FOR REFERENCE

- 3 MEASUREMENT SHOULD BE TAKEN FROM THE BOTTOM.
- 2 MAXIMUM COMPONENT HEIGHT DEPENDS ON LOCATION DUE TO PART DRAFT RIBS.

NOTES:  
1. THIS ENCLOSURE MATES WITH DTM13-12PX-R008 (Ni PINS); DTM13-12PX-GR01 (Au PINS); DTM13-12PX-12X-R008 (Ni PINS); DTM13-12PX-12PX-GR01 (Au PINS) HEADER (X = A,B,C,D KEYS).



THIS DRAWING IS A CONTROLLED DOCUMENT.

DIMENSIONS:	TOLERANCES UNLESS OTHERWISE SPECIFIED:
mm	0 PLC ±
	1 PLC ±
	2 PLC ±0.25
	3 PLC ±
	4 PLC ±
	ANGLES ±
	FINISH ±
MATERIAL	PA66 GF15
	BLACK

DWN	C. WOODRUFF	25APR2000
CHK	B. BYFORD	29MAY2012
APVD	S. BEARD	23MAY2012
PRODUCT SPEC	108-151010	
APPLICATION SPEC		
WEIGHT	140 GR	
CUSTOMER DRAWING		

TE INTERNAL PN	DEUTSCH PN	KEY
EEC-325X4A	EEC-325X4A	HOLE
EEC-325X4B	EEC-325X4B	NO HOLE

SIZE	CAGE CODE	DRAWING NO	RESTRICTED TO
A2	11139	EEC-325X4A EEC-325X4B	
SCALE	SHEET	OF	REV
1:1			HI